

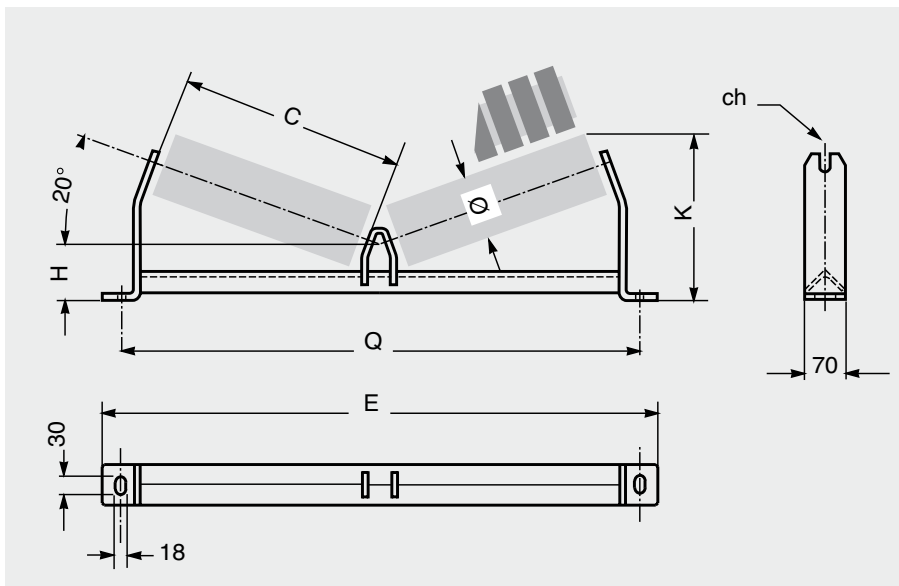


### 3 Troughing sets

#### transom

#### A2 S-20°

For light upper troughing sets with two rollers, plain or with impact rings



for rollers series:

#### MPS

∅ 60, 76, 89, 102  
spindle 15  
bearing 6202  
ch = 17

#### PSV 1

∅ 63, 89, 108  
spindle 20  
bearing 6204  
ch = 14

#### PL

∅ 90, 110

#### PLF

∅ 89, 108  
spindle 20  
bearing 6204  
ch = 30; 14

order codes	belt		roller		ch	transom					weight* without rollers Kg
	width mm	∅ mm	C	capacity Kg		H mm	K max	Q	E		
A2 S/49	300	60 - 63 - 76 89 - 90 102 - 108 - 110	208	338	95	213	540	600	3.9		
A2 S/51	400		258	286	95	240	640	700	4.4		
A2 S/53	500		323	247	95	262	740	800	4.9		
A2 S/55	650		388	205	95	285	890	950	5.6		
A2 S/57	800		473	167	95	314	1090	1150	6.6		

On request transoms may be supplied with different dimensions, characteristics and angles.

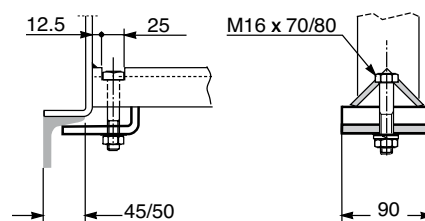


A2 S-20° Standard

#### A2 ST-20°

#### Special design with bracket

for fixing the transom without drilling the main frame



\* Add 1.5 kg for the special design with bracket

Example of ordering  
A2S/51, 400, F17

for special designs  
see pages pag. 200