

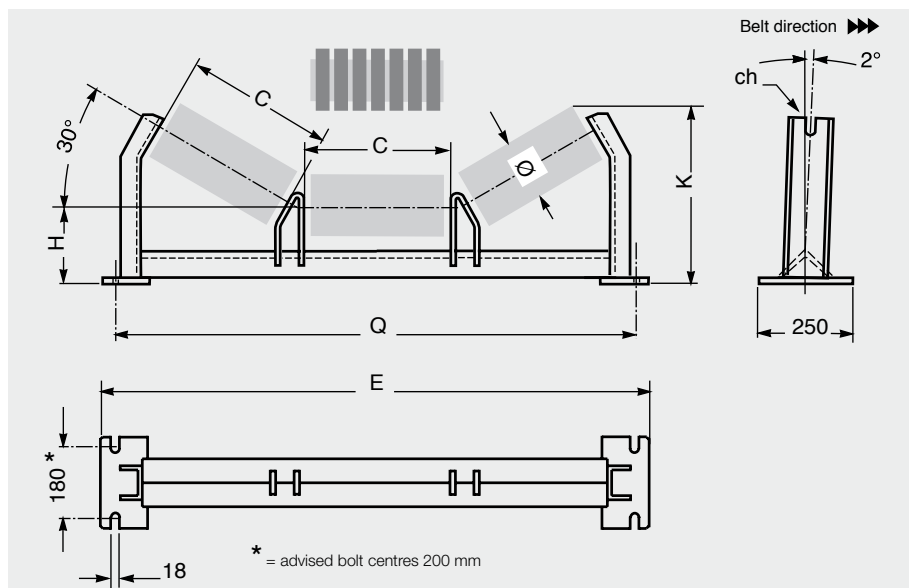


3 Troughing sets

transom

A3 P-30°

For heavy upper troughing sets with three rollers, plain or with impact rings



for rollers series:

PSV 1

∅ 89, 108, 133
spindle 20
bearing 6204
ch = 14

PSV 2, 3

∅ 133, 159
spindle 25
bearing 6205, 6305
ch = 18

PSV 4, 5

∅ 133, 159
spindle 30
bearing 6206, 6306
ch = 22



A3 P-30° Standard

Example of ordering
A3P/54,1200, 4, F18, H168

for special designs
see page 200

transom
A3 P-30°

order codes	belt		roller			transom					weight without rollers Kg
	width mm	Ø mm	C	ch	capacity Kg	H mm	K _{max}	Q	E		
A3 P 1/5A	800	89 - 108	323	14	289	133	347	1090	1150	11.5	
A3 P 2/5B					460	140	355	1090	1150	13.6	
A3 P 1/5E	1000		388		244	133	380	1290	1350	12.7	
A3 P 2/5F			388		140	387	1290	1350	15.3		
A3 P 1/5K	1200		473		204	133	422	1540	1600	14.4	
A3 P 2/5L			325		140	429	1540	1600	17.3		
A3 P 3/5C	800	133	323	14 - 18 - 22	289	153	380	1090	1150	12.9	
A3 P /50					460	160	388	1090	1150	15.0	
A3 P 3/5G	1000		388		244	153	413	1290	1350	15.5	
A3 P 4/5H			388		160	420	1290	1350	18.1		
A3 P /52	1200		473		581	168	428	1290	1350	21.0	
A3 P 3/5M			204		153	455	1540	1600	17.3		
A3 P 4/5N	325		160	462	1540	1600	20.3				
A3 P /54	487		168	470	1540	1600	23.7				
A3 P 1/5R	1400		538	538	18 - 22	288	160	496	1740	1800	22.1
A3 P 2/5S						431	168	503	1740	1800	26.1
A3 P /56						561	176	511	1740	1800	28.3
A3 P 1/5V	1600		608	608		387	168	538	1940	2000	28.3
A3 P /58		503				176	546	1940	2000	30.7	
A3 P 4/5D	800	159	323	18 - 22		284	173	413	1090	1150	13.8
A3 P /51					460	180	420	1090	1150	15.9	
A3 P 5/5I	1000		388		244	173	445	1290	1350	16.6	
A3 P 6/5J			388		180	452	1290	1350	19.1		
A3 P /53			581		188	460	1290	1350	22.0		
A3 P 5/5P	1200		473		204	173	475	1540	1600	18.3	
A3 P 6/5Q			325		180	482	1540	1600	21.3		
A3 P /55			487		188	490	1540	1600	24.8		
A3 P 3/5T	1400		538		288	180	518	1740	1800	23.2	
A3 P 4/5U			431	188	525	1740	1800	27.1			
A3 P /57			561	196	533	1740	1800	29.3			
A3 P 2/5W	1600		608	387	188	580	1940	2000	29.4		
A3 P /59			503	196	588	1940	2000	31.8			
A3 P 1/5X	1800		678	446	196	615	2190	2250	34.9		
A3 P 2/5Y				667	203	623	2190	2250	43.9		

On request transoms may be supplied with different dimensions, characteristics and angles.