



Motorized Pulley 113LP

A powerful drive for light duty conveyors

Product description

This Pulley is the ideal operator for light and medium conveyors, for non-continuous use.

Characteristics

- 3-phase or 1-phase AC induction motor
- Single supply voltage
- on request: 3-phase dual supply voltage (possible delta/star connection)
- Integral motor protection
- Gearbox planetary-type polymer or polymer / steel combination
- Low noise operation
- Light and distributed weight
- Maintenance free
- Reversible operation

Applications

- Conveyors for light loads, non continuous use
- Recycling bottles
- Packaging equipment
- X-ray inspection systems at airports
- Pharmaceutical industry
- Food processing
- Cash desks in supermarkets
- Dry, Damp and frequent wash down applications

Technical data	
Motor Data	
Type of Motor	Asynchronous squirrel-cage, IEC 34 (VDE 0530)
Insulation class of motor windings	Class F, IEC 34 (VDE 0530)
Voltage	230 or 400 V \pm 5% (IEC 34/38)
Frequency	50/60 Hz
internal shaft sealing system	Double-lipped of nitrile rubber, NBR
External shaft sealing system	Deflection seal nitrile rubber, NBR
Protection rate	IP66
Thermal protection	Bimetallic Contact
Ambient temperature, 3-phase motor	+5 to +40 °C
Ambient temperature, 1-phase motor	+10 to +40 °C
General technical data	
Max. Roller length (RL)	1206 mm

Motorized Pulleys with RL length greater than 706 mm have reinforced shaft.
All data and values declared in the catalogue refer to operation with a frequency of 50 Hz.



Motorized Pulley 113LP

A powerful drive for light duty conveyors



Materials

The following Motorized Pulley components are available in different versions, as shown in the below chart, with further options for the material type as indicated.

Component	Version	Material			
		Standard Aluminium	Steel	Option Stainless Steel	Brass/Nickel
Shell	Crowned	Std	✓	✓	
	Cylindrical	✓	✓	✓	
	Special crownes with grooves	✓	✓	✓	
End housing	Standard	Std		✓	
Shaft cap	Standard	Std			
	With cable protection			✓	✓
Electrical connection	Straight or 90° cable connector			✓	✓
	Elbow connector	✓		✓	

Please contact Rulmeca for further versions.

Options

- Rubber lagging for standard belts
- Dynamic balancing
- 3-phase dual supply voltage (possible delta/star connection)
- Oil for Food (EU, FDA and USDA)
- Oil for low temperatures
- Non-horizontal mounting (more than $\pm 5^\circ$)
- For special versions, please contact RULMECA.

Accessories

- Mounting brackets
- Idler Pulleys
- Rollers for conveyors

Cable specifications

Cable options available:

- Standard, screened
- Standard, unscreened
- Halogen-free, screened
- Halogen-free, unscreened

Available lengths: 1,5 / 3,0 m (other lengths available on request).



Motorized Pulley 113LP

A powerful drive for light duty conveyors

Technical data for Motorized Pulley 113LP - 3-phase - 50Hz

Rated Power [kW]	Poles n.	Gear Stages n.	Rated speed of the shell [m/s]	Rated revolutions of the shell [min-1]	Rated torque of Motorized pulley [Nm]	Rated tangential force [N]	Max. belt tension T1+T2 [N]	Min. length RL [mm]	
0,06	4	4	0,06	10,1	56,0	1000	2000	256	
			0,08	13,5	42,0	750			
		3	0,12	20,3	28,0	500			
			0,15	25,4	22,5	400			
			0,20	33,8	17,0	300			
			0,26	43,9	13,0	231			
			0,31	52,4	11,0	194			
			0,36	60,8	9,5	167			
		2	0,50	84,5	7,0	120			1500
			0,69	116,6	5,0	87			
0,12	4	3	0,12	20,3	56,5	1000	2000	256	
			0,15	25,4	45,0	800			
			0,20	33,8	34,0	600			
			0,26	43,9	26,0	462			
			0,31	52,4	22,0	387			
			0,36	60,8	19,0	333			
		2	0,50	84,5	13,5	240	1500		
			0,69	116,6	10,0	174			
			0,81	136,9	8,5	148			
			0,91	153,8	7,5	137			
0,18	4	3	0,20	33,8	51,0	900	2000	256	
			0,26	43,9	39,0	692			
			0,31	52,4	33,0	581			
			0,36	60,8	28,5	500			
		2	0,50	84,5	20,5	360	1500		
			0,69	116,6	14,5	261			
			0,81	136,9	12,5	222			
			0,91	153,8	11,0	198			
			1,05	177,5	9,5	171			
			1,25	199,5	8,5	150			
0,25	4	3	0,26	43,9	54,5	962	2000	276	
			0,31	52,4	45,5	806			
			0,36	60,8	39,0	694			
		2	0,50	84,5	28,5	500	1500		
			0,69	116,6	20,5	362			
			0,81	136,9	17,5	309			
			0,91	153,8	15,5	275			
			1,05	177,5	13,5	238			
			1,25	199,5	12,5	214			
			1,50	237,5	11,5	190			
0,37	4	3	0,36	60,8	58,0	1028	2000	294	
			0,50	84,5	42,0	740			
		2	0,69	116,6	30,5	536	1500		
			0,81	136,9	26,0	457			
			0,91	153,8	23,0	407			
			1,05	177,5	20,0	352			

Motorized Pulley 113LP

A powerful drive for light duty conveyors

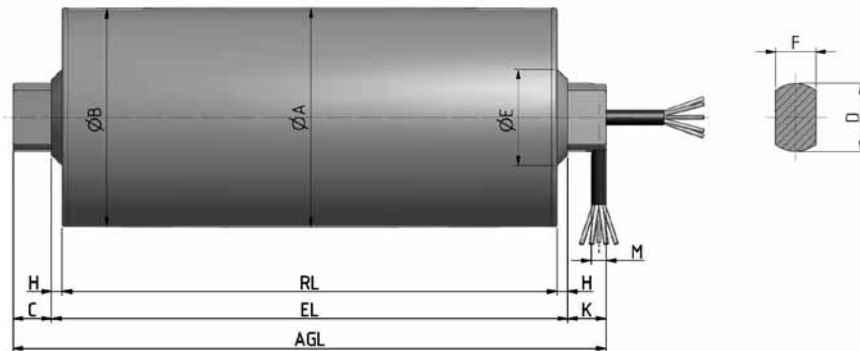


Technical data for Motorized Pulley 113LP - 1-phase - 50Hz

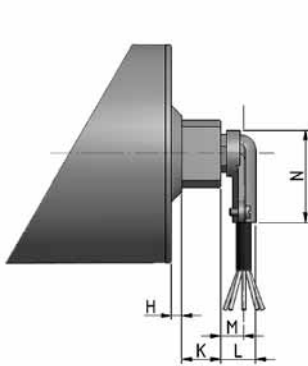
Rated Power [kW]	Poles n.	Gear Stages n.	Rated speed of the shell [m/s]	Rated revolutions of the shell [min-1]	Rated torque of Motorized pulley [Nm]	Rated tangential force [N]	Max. belt tension T1+T2 [N]	Min. length RL [mm]	
0,06	4	4	0,06	10,1	56,0	1000	2000	256	
			0,08	13,5	42,0	750			
		3	0,12	20,3	28,0	500			
			0,15	25,4	22,5	400			
			0,20	33,8	17,0	300			
			0,26	43,9	13,0	231			
			0,31	52,4	11,0	194			
			0,36	60,8	9,5	167			
		2	0,50	84,5	7,0	120			1500
			0,69	116,6	5,0	87			
0,12	4	3	0,12	20,3	56,5	1000	2000	256	
			0,15	25,4	45,0	800			
			0,20	33,8	34,0	600			
			0,26	43,9	26,0	462			
			0,31	52,4	22,0	387			
			0,36	60,8	19,0	333			
		2	0,50	84,5	13,5	240	1500		
			0,69	116,6	10,0	174			
			0,81	136,9	8,5	148			
			0,91	153,8	7,5	133			
0,18	4	3	0,20	33,8	51,0	900	2000	276	
			0,26	43,9	39,0	692			
			0,31	52,4	33,0	581			
			0,36	60,8	28,5	500			
		2	0,50	84,5	20,5	360	1500		
			0,69	116,6	14,5	261			
			0,81	136,9	12,5	222			
			0,91	153,8	11,0	198			
			1,05	177,5	9,5	171			
			1,20	200,0	8,5	148			
0,25	4	3	0,26	43,9	54,5	962	2000	294	
			0,31	52,4	45,5	806			
			0,36	60,8	39,0	694			
		2	0,50	84,5	28,5	500	1500		
			0,69	116,6	20,5	362			
			0,81	136,9	17,5	309			
			0,91	153,8	15,5	275			
			1,05	177,5	13,5	238			

Motorized Pulley 113LP

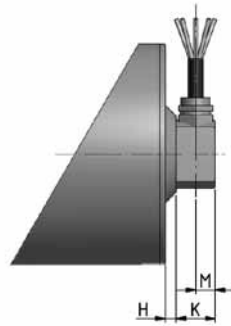
A powerful drive for light duty conveyors



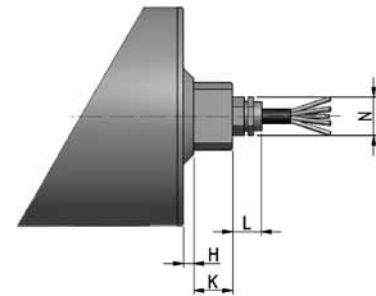
Motorized Pulley standard Version.



Elbow connector in aluminium.



Cable connection 90°.



Straight connector.

Type/Option	A mm	B mm	C mm	D mm	E mm	F mm	G mm	H mm	K mm	L mm	M mm	N mm	Q mm	T mm
Motorized Pulley Standard Version	113,6	112,6	20	35	50	21		5,5	20		8			
Elbow Connector in aluminium									20	18	12	48		
Cable Connector 90°									20		10			
Straight Connector									20	15		20		
Std. RL shell lengths (mm)	300 306	350 356	400 406	450 456	500 506	550 556	600 606	650 656	700 706	750 756	800 806	+ 50 mm up to		1200 1206
Average weight (kg)	6,8	7,1	7,5	7,9	8,2	8,6	8,9	9,3	9,7	11	11,3	+ 0,45 kg up to		14,9

- Min lengths: see table at pages 22-23
- Max length: 1206 mm
- Weights are orientative due to different shell executions and motor powers