



## Motorized Pulley 630M & 630H, Ø 630 mm

To match your requirements in diameter 630 mm, our product range offers two different loading performances for your BULK applications:

- 630M and
- 630H

You have a choice.

Therefore, it is important to notice the differences to choose the right type of pulley for the right application based on estimated belt tension (radial load) = T1+T2. The actual radial load ***MUST*** be ***LESS*** than the max. allowable radial load shown in this catalogue.

Be aware of increased belt tensions using ***multi-ply thick heavy belts*** and/or larger belt widths.

If you do not find the belt tension needed in this diameter, you might have to choose a larger one.

Except for the fact that motor/gearbox of 630M originates from 500H, both types – 630M and 630H – are designed for HEAVY DUTY applications. They provide the necessary torque and belt pull.

Both pulleys are designed for tough, irregular, extreme and brutal working conditions.

### STANDARD SPECIFICATION of Motorized Pulley

- Crowned mild steel Ø 630 mm steel shell painted yellow - min. layer of 60 µm
- Bolted powder coated cast iron bearing housings and covers, all painted yellow – min. layer of 60 µm
- Mild steel shafts
- Shaft sealing system - degree of protection IP66/67 (EN60034-5)
- Cast iron terminal box painted yellow – min. layer of 60 µm
- 3-phase induction motors with thermal protector
- Voltage: 3-phase single voltage. Most common voltages available. Please specify!
- Motor winding insulation Class F
- Dynamically balanced rotor
- Two oil plugs each fitted with a magnet to filter the oil
- Yellow painted cast steel mounting brackets – one type AL & one type ALO
- Oil change recommended every 10,000 operational hours
- Maximum RL – Please inquire!
- Non standard RL's available
- To be used in horizontal positions ±5 degree only!

### Please note:

- Special speeds available on request.
- Environmental considerations: page 77-78
- Technical precautions: pages 81-92
- Optional extras: page 61 and back cover
- Connection Diagrams: page 100.

### SEMI-RUST-FREE options

#### TS11

- Painted mild steel shell – min. layer of 120 µm
- Painted cast iron end housings – min. layer of 120 µm
- Stainless steel covers with labyrinth grooves – AISI 304 range
- Nitrided shaft sleeves
- Zinc-plated oil plugs – each with magnet
- Zinc-plated exterior bolts
- Shaft sealing system – degree of protection IP66/67 (EN60034-5)
- Painted terminal box – min. layer of 120 µm
- Nickel plated mounting brackets with labyrinth grooves

#### TS12

- As TS11, but without re-greasable seals.
- Covers - standard

### Please note:

- FDA & USDA food grade recognized oil and grease are NOT included in TS11 & TS12, but available on request.

**Please specify required TS-number when ordering!**



## OPTIONAL EXTRAS

### Motorized Pulley 630M & 630H

Specification	630M	630H
Semi-rust-free option                      Re-greasable labyrinth seals!	TS11	TS11
Semi-rust-free option                      Standard seals!	TS12	TS12
Dust explosion proof Motorized Pulleys - ATEX 95 - Zone 22 - for applications handling of dusty grain etc. According to European Directive 94/9/EC.	On request!	On request!
Re-greasable labyrinth seals - mild steel	x	x
Black rubber lagging - STANDARD specifications: - Smooth lagging - Hardness 60 ±5 Shore A - Diamond lagging - Hardness 60 ±5 Shore A	o 10 mm 10 mm	o 10 mm 10 mm
White smooth rubber lagging (FDA). Oil, fat & grease resistant	x	x
SPECIAL lagging available on request - e.g. hot vulcanized, ceramic etc.	x	x
External brake shaft for connection to mechanical brake	x	x
Mechanical backstop	x	x
Insulation class F - Allowable ambient temperature: -25°C-+40°C	Std.	Std.
Insulation class H with synthetic oil	x	x
Parallel shell	x	x
Thermal protector	Std.	Std.
IP66/67 cast iron terminal box painted yellow	Std.	Std.
Shaft sealing system - degree of protection IP66/67 (EN60034-5)	Std.	Std.
3-phase single voltage (3x230-400V or 400-690V 50Hz) with +/-10% tolerance - DIN IEC 38	Std.	Std.
Special voltages - 50 and/or 60Hz              Please specify!	x	x
Dual voltage - delta/star - connection possibility!	x	x
CSA approved motors - available on request only!	x	x
Electromagnetic brake                      Min RL dimension increases by (mm)	100	-

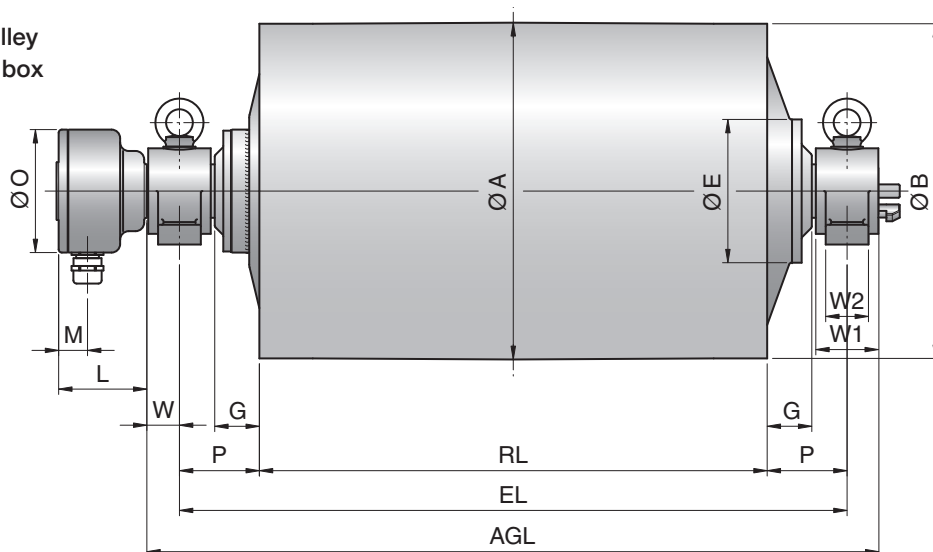
**x** = Optional extra's

**o** = An option with certain limitations. Please refer to Technical precautions pages 81-92!

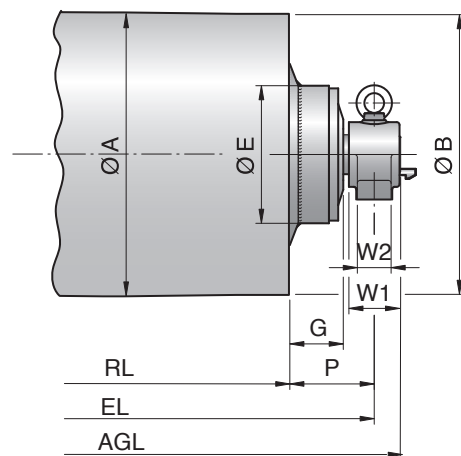
**Std.** = Fitted as standard

## Motorized Pulley 630M & 630H, Ø 630 mm

Motorized Pulley  
with terminal box

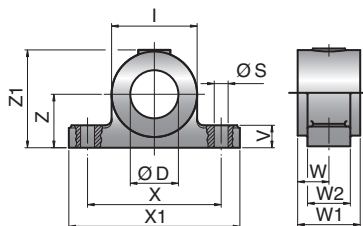


Idler Pulley  
UT500H / UT502H



Type	A mm	B mm	C mm	D mm	E mm	G mm	L mm	M mm	O mm	P mm
630M	630	626	-	65	192	95	100	36	156	150
630H	630	626	-	90	268	84	165	56	230	150
UT500H	501	497	-	65	235	95	-	-	-	150
UT502H	501	497	-	90	226	85	-	-	-	150

Mounting brackets  
AL65 & ALO65  
AL90 & ALO90



Motorized Pulleys & Idler Pulleys (UT) Type	Material	Bracket description	Dimensions											Weight kg
			D mm	I mm	S mm	V mm	W mm	W1 mm	W2 mm	X mm	X1 mm	Z mm	Z1 mm	
630M & UT500H	Spheroidal cast iron	AL65 / ALO65	65	115	23	34	45	90	60	180	240	80	141	8.0
630H & UT502H	Cast steel	AL90 / ALO90	90	160	26	42	58.5	117	80	250	320	100	183	19.0



## Motorized Pulley 630M, Ø 630 mm

50 Hz

Motor		Nominal belt speed at Full Load 50Hz m/sec	Torque Nm	Belt Pull N	Max. Radial Load T1+T2 N	Min. RL	Type	Weight in kg for STANDARD width										Type of Bracket
Power kW/HP	No. of Poles							Dimension RL in mm (RL >2000 mm available on request)										
								750	800	850	900	950	1000	1050	1100	per 50 mm up to 2000		
5.50/7.50	8	0.63	2612	8292	46000	750	630M	395	404	413	422	431	441	450	459	9 kg	AL65/ALO65	
		0.80	2057	6530														
		1.00	1645	5222														
	6	1.25	1316	4178														
		1.60	1028	3264														
		2.00	823	2613														
7.50/10.0	8	2.50	658	2089	46000	750	630M	404	413	422	431	440	450	459	468	9 kg	AL65/ALO65	
		3.15	522	1657														
		1.00	2805	8905														
	6	1.25	1795	5699														
		1.60	1402	4451														
		2.00	1122	3562														
11.0/15.0	6	2.50	897	2848	46000	750	630M	419	428	438	447	456	466	475	484	9 kg	AL65/ALO65	
		3.15	712	2261														
		1.25	2631	8356														
	4	1.60	2056	6527														
		2.00	1645	5222														
		2.50	1316	4178														
15.0/20.0	4	3.15	1045	3318	46000	750	630M	430	439	449	458	467	477	486	495	9 kg	AL65/ALO65	
		2.00	2243	7121														
		2.50	1795	5699														
	4	3.15	1424	4521														
		2.00	2767	8784														
		2.50	2213	7026														
18.5/25.0	4	3.15	1757	5578	46000	750	630M	440	449	459	468	477	487	496	505	9 kg	AL65/ALO65	
		2.00	3222	10450														
		2.50	2634	8362														
	2	3.15	2090	6635														
		2.50	2634	8362														
		3.15	2090	6635														
Idler Pulley					46000	750	UT500H	212	220	229	237	246	255	263	271	8 kg	AL65/ALO65	

## Motorized Pulley 630H, Ø 630 mm

50 Hz

Motor		Nominal belt speed at Full Load 50Hz m/sec	Torque Nm	Belt Pull N	Max. Radial Load T1+T2 N	min. RL	Type	Weight in kg for STANDARD width										Type of Bracket
Power kW/HP	No. of Poles							Dimension RL in mm (RL >2000 mm available on request)										
								950	1000	1050	1100	1150	1200	1250	1300	per 50 mm up to 2000		
22.0/30.0	8	1.00	6583	20899	73600	950	630H	805	818	830	843	855	865	878	891	13 kg	AL90/ALO90	
		1.25	5265	16714														
		1.60	4113	13057														
	8	2.00	3290	10445														
		2.50	2632	8356														
		3.15	2089	6632														
30.0/40.0	8	1.25	7179	22791	98100	950	630H	825	838	850	863	875	885	898	911	13 kg	AL90/ALO90	
		1.60	5609	17807														
		2.00	4487	14245														
	6	2.50	3589	11394														
		3.15	2849	9045														
		1.60	6920	21969														
37.0/50.0	6	2.00	5534	17569	98100	950	630H	825	838	850	863	875	885	898	911	13 kg	AL90/ALO90	
		2.50	4427	14054														
		3.15	3513	11153														
	4	2.50	5384	17092														
		3.15	4273	13565														
		4.00	3365	10683														
55.0/75.0	4	2.50	6584	20902	88300	950	630H	845	858	870	883	895	905	918	931	13 kg	AL90/ALO90	
		3.15	5223	16581														
		4.00	4113	13057														
	4	2.50	6584	20902														
		3.15	5223	16581														
		4.00	4113	13057														
Idler Pulley					98100	750	UT502H	287	296	305	314	322	331	340	349	9 kg	AL90/ALO90	

Sectional drawings: please refer to pages 68-70!

Note: for MP 630M & H electromagnetic brake is not possible